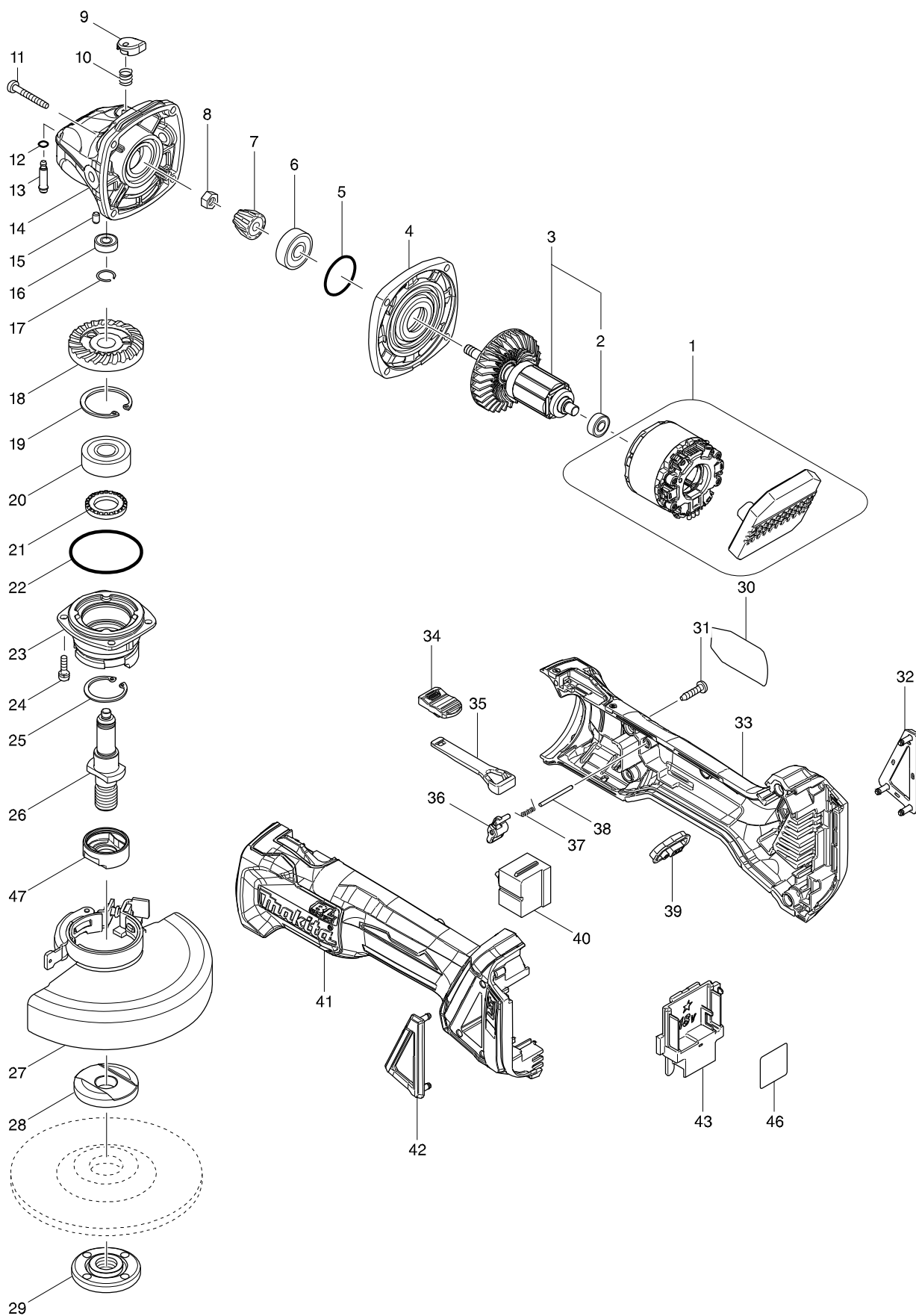


# Číslo typu DGA506 125MM CORDLESS ANGLE GRINDER



Položka	Číslo dílu	Popis	Změn	Množstv	N/O	Možnost 1	Možnost 2	Poznámka
001	629201-7	STATOR COMPLETE		1				
002	210034-7	ložisko 607LLB		1	*			
002-1	210169-4	BALL BEARING 607LLB	<	1				
003	519378-5	ROTOR ASS'Y		1	*			
D10		INC. 2			*			
003-1	510329-1	ROTOR ASS'Y	<	1				
D10		INC. 2						
004	319214-3	GEAR HOUSING COVER		1				
005	213445-5	o-kroužek 26		1				
006	210042-8	BALL BEARING 629LLB		1				
007	227541-3	pastorek = old 227464-5		1				
008	252186-8	matka 9554-9558		1				
009	417771-6	tlačítko aretace MT952		1				
010	233072-2	vinutá pružina 8		1				
011	266361-0	šroubek 4x30		4				
012	213960-9	o-kroužek 9554-9558NB		1				
013	256546-6	SHOULDER PIN 4		1				
014	319213-5	GEAR HOUSING		1				
015	263002-9	vymezovací čep 4		1				
016	210033-9	ložisko 696ZZ		1				
017	233950-6	pružina		1				
018	227641-9	SPIRAL BEVEL GEAR 37		1				
019	962151-6	segrovka vnitřní R-32		1				
020	211129-9	kul.lož. 6201=old922088,211143-5 21111		1				
021	262153-5	FELT RING 16		1				
022	213622-9	o-kroužek 45 9554NB-9558NB		1				
023	319399-5	BEARING BOX		1				
024	911121-2	šroub M4x12		4				
025	962105-3	segrovka vnitřní R-26		1				
026	326672-6	SPINDLE		1				
027	123145-8	kryt kola		1				
C10	213009-5	o kroužek 4 AN5010/KP0810/C=old2130		1				
C20	265180-1	šroub M5x16 GA6021/GA4530=old2651		1				
028	224447-6	INNER FLANGE 42B		1				
029	224554-5	upevňovací matice 14-45 9524		1				
030	851Y86-5	DGA506 NAME PLATE		1				
031	266326-2	šroub 4x18=new265995-6		5				
032	455450-8	DUST COVER R		1				
033	187998-9	MOTOR HOUSING SET		1				
C10	263005-3	vymezovací čep 6		2				
D10		INC. 41						
034	455447-7	SWITCH KNOB		1				
035	455446-9	SWITCH LEVER		1				
036	455448-5	LEVER		1				
037	231679-8	TORSION SPRING 2		1				
038	268330-7	PIN 2		1				
039	142901-7	INDICATOR PANEL COMPLETE		1				
040	650579-7	vypínač		1				

Položka	Číslo dílu	Popis	Změn	Množstv	N/O	Možnost 1	Možnost 2	Poznámka
041	187998-9	MOTOR HOUSING SET		1				
C10	263005-3	vymezovací čep 6		2				
D10		INC. 33						
042	455449-3	DUST COVER L		1				
043	643899-6	TERMINAL		1				
046	851Y94-6	DGA506 SERIAL NO. LABEL		1				
047	310514-4	LEAD FLANGE		1				
A01	A-80656	GRINDING WHEEL 125 WA36N		1				
A02	158237-4	GRIP 36 COMPLETE		1				
A03	782423-1	klíč 35=old 782421-5		1				
A04B	***DC18RC	DC18RC FAST CHARGER		1				
D10		COMPO-PARTS						
A04C	***DC18RC	DC18RC FAST CHARGER		1				
D10		COMPO-PARTS						
A04D	***DC18RC	DC18RC FAST CHARGER		1				
D10		COMPO-PARTS						
A05B	194204-5	baterie BL1830 18V/3,0Ah Li-ion		2	*			
A05C	197265-4	BATTERY BL1840B SET		2				
A05D	197280-8	BATTERY BL1850B SET		2				
A05-1B	197600-6	BATTERY BL1830B SET	<	2				
A06B	450128-8	kryt baterie		1				
A06C	450128-8	kryt baterie		1				
A06D	450128-8	kryt baterie		1				
A07B	821551-8	systainer Makpac 395x295x210mm		1				
C10	453974-8	LATCH		4				
A07C	821551-8	systainer Makpac 395x295x210mm		1				
C10	453974-8	LATCH		4				
A07D	821551-8	systainer Makpac 395x295x210mm		1				
C10	453974-8	LATCH		4				
A08B	838175-3	INNER TRAY		1				
A08C	838175-3	INNER TRAY		1				
A08D	838175-3	INNER TRAY		1				
A09B	808R90-3	DGA506RFJ INDICATION LABEL		1	*			
A09C	808R92-9	DGA506RMJ INDICATION LABEL		1	*			
A09D	808R94-5	DGA506RTJ INDICATION LABEL		1	*			
A09-1B	810N45-2	DGA506RFJ INDICATION LABEL	O	1				
A09-1C	810N47-8	DGA506RMJ INDICATION LABEL	O	1				
A09-1D	810N49-4	DGA506RTJ INDICATION LABEL	O	1				
A10B	808R91-1	DGA506RFJ PLASTIC CASE LABEL		2	*			
A10C	808R93-7	DGA506RMJ PLASTIC CASE LABEL		2	*			
A10D	808R95-3	DGA506RTJ PLASTIC CASE LABEL		2	*			
A10-1B	810N46-0	DGA506RFJ PLASTIC CASE LABEL	X	2				
A10-1C	810N48-6	DGA506RMJ PLASTIC CASE LABEL	X	2				
A10-1D	810N50-9	DGA506RTJ PLASTIC CASE LABEL	X	2				