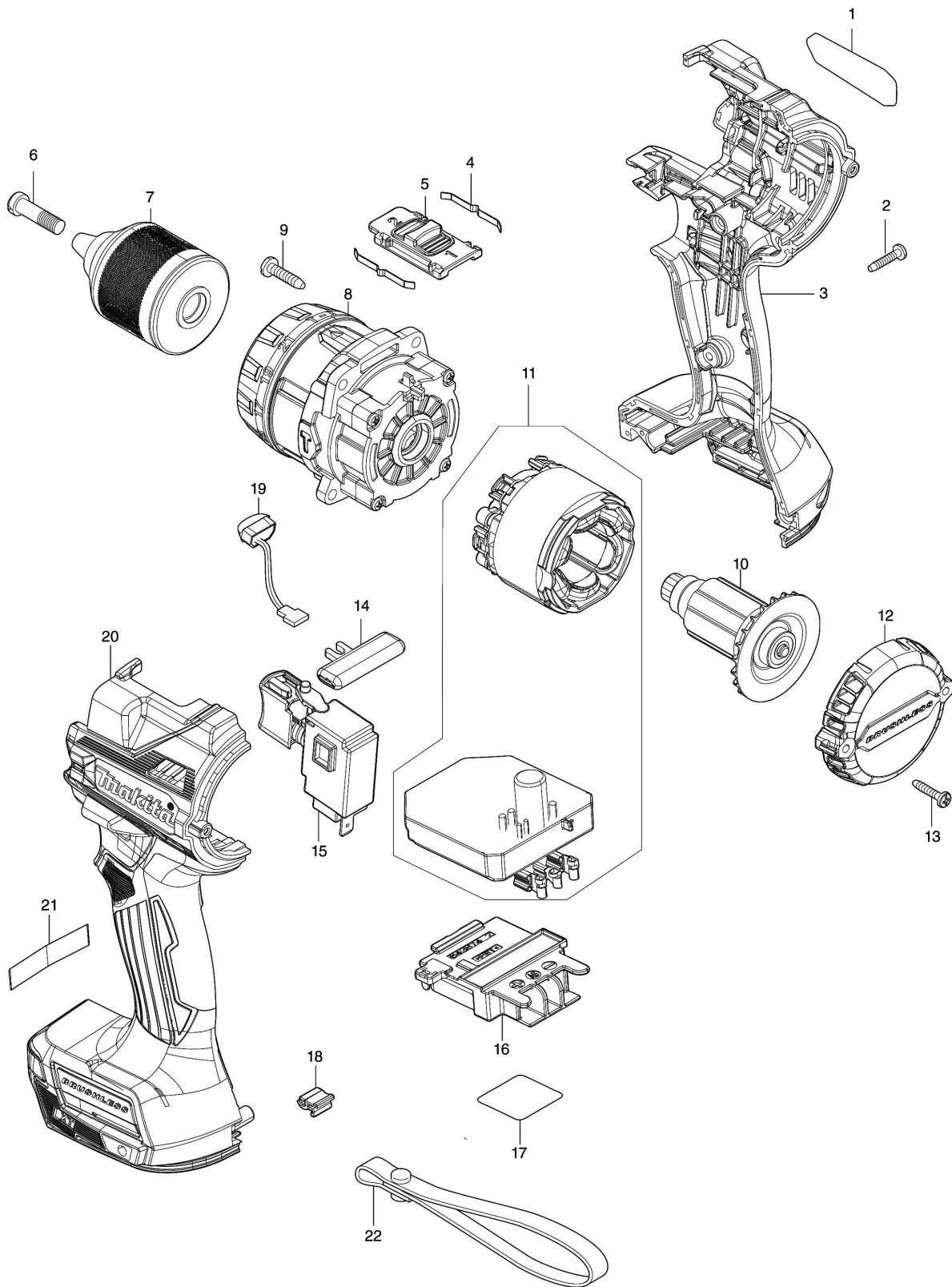


Model No.DHP486 CORDLESS HAMMER DRIVER DRILL



Model No.DHP486 CORDLESS HAMMER DRIVER DRILL

Položka	Číslo dílu	Popis	Změna	Množství	New/Old	Možnost 1	Možnost 2	Poznámka
001	811B29-1	DHP486 NAME PLATE		1				
002	266130-9	TAPPING SCREW BIND PT 3X16		7				
003	183R83-4	HOUSING SET		1				
C10	263005-3	RUBBER PIN 6		2				
C20	252126-6	HEX. LOCK NUT M4-7		2				
D10		INC. 20						
004	232220-0	LEAF SPRING		2				
005	127494-5	SPEED CHANGE LEVER ASSEMBLY		1				
C10	233438-6	COMPRESSION SPRING 4		2				
006	251468-5	- FLAT HEAD SCREW M6X22		1				
007	763252-1	KEYLESS DRILL CHUCK 13		1				
008	127698-9	GEAR ASSEMBLY		1	*			
008-1	122A92-6	GEAR ASSEMBLY	<	1				
009	266326-2	TAPPING SCREW 4X18		4				
010	619656-4	ROTOR		1				
011	629A33-8	STATOR COMPLETE		1				
012	413405-9	REAR COVER		1				
013	266130-9	TAPPING SCREW BIND PT 3X16		2				
014	419041-9	F/R CHANGE LEVER		1				
015	651443-5	SWITCH C3JR-4B		1				
016	643874-2	TERMINAL		1				
017	811B36-4	DHP486 SERIAL NO. LABEL		1				
018	424517-3	CUSHION		1				
019	620549-0	LED CIRCUIT		1				
020	183R83-4	HOUSING SET		1				
C10	263005-3	RUBBER PIN 6		2				
C20	252126-6	HEX. LOCK NUT M4-7		2				
D10		INC. 3						
A01	122576-8	STOPPER POLE ASS'Y		1				
A02	127701-6	GRIP ASSEMBLY		1	*			
C10	140U91-6	POLE COMPLETE		1	*			
C20	140X19-2	ARM R COMPLETE		1	*			
C30	265785-7	THUMB SCREW M5X10		1	*			
C40	266886-4	HEX. BOLT M8X65		1	*			
C50	312A63-3	ARM L		1	*			
C60	931202-6	HEX. NUT M5		1	*			
C70	962055-2	RETAINING RING (INT) R-15		1	*			
A02-1	122C01-7	GRIP ASSEMBLY	<	1				
C10	140U91-6	POLE COMPLETE		1				
C20	140X19-2	ARM R COMPLETE		1				
C30	265785-7	THUMB SCREW M5X10		1				
C40	266886-4	HEX. BOLT M8X65		1				
C50	312C73-2	ARM L		1				
C60	931202-6	HEX. NUT M5		1				

Model No.DHP486 CORDLESS HAMMER DRIVER DRILL

Položka	Číslo dílu	Popis	Změna	Množství	New/Old	Možnost 1	Možnost 2	Poznámka
C70	962055-2	RETAINING RING (INT) R-15		1				
A03	251314-2	+ SCREW M4X12		2				
A04	346317-0	HOOK		1				
A05	452947-8	BIT HOLDER		1				
A06	784637-8	+ - BIT 2-45		2				
A07B	821550-0	CONNECTOR PLASTIC CASE (TYPE2)		1				
C10	453974-8	LATCH		4				
A08B	837916-4	INNER TRAY		1				
A09B	8030X6-3	DHP486RTJ INDICATION LABEL		1				
A10B	8030X7-1	DHP486RTJ PLASTIC CASE LABEL		2				
A11B	450128-8	BATTERY COVER		1				
A12B	197280-8	BATTERY BL1850B SET		2				
A13B	***DC18RC	DC18RC FAST CHARGER		1				

Please order the parts with part number.

Print Date 31/5/2021